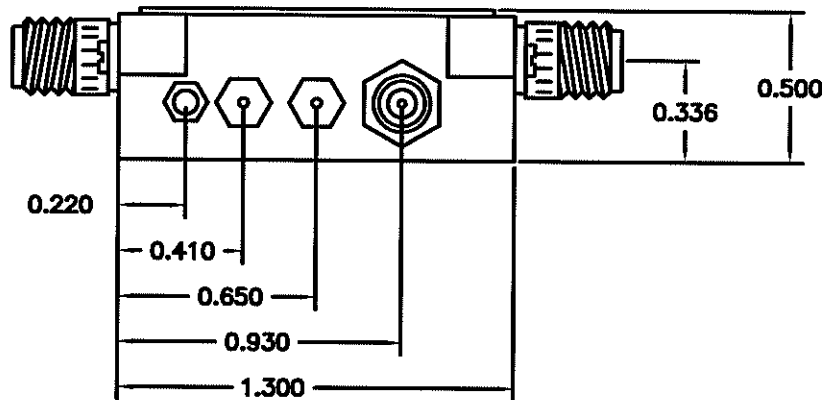
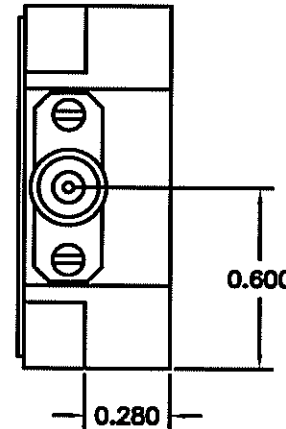
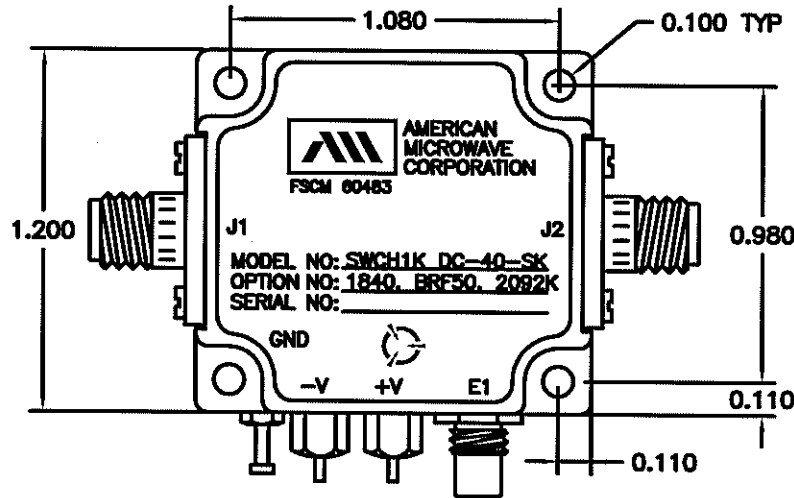


DESCRIPTION

AMC MODEL SWCH1K-DC40-SK OPTION 1840, BRF50 & 2092K IS A TERMINATED SPST SWITCH WITH A FREQUENCY RANGE OF 18 TO 40 GHz, AND HAS A BALANCED RISE/FALL TIME OF 50nSEC.

MECHANICAL OUTLINE



ALL DIMENSIONS ARE IN INCHES
 TOLERANCES:
 X.XX ±0.020
 X.XXX ±0.010

AMERICAN MICROWAVE CORPORATION
 7311-G GROVE ROAD
 FREDERICK, MARYLAND 21704 USA
 TEL: 301-662-4700 FAX: 301-662-4938
 WEBSITE: www.americanmicrowavecorp.com
 E-MAIL: sales@americanmicrowavecorp.com
 ISO 9001:2000 CERTIFIED



APPROVALS		DATE	TITLE		
DESIGN	<i>JCAL/S</i>	1/2/00	MECHANICAL OUTLINE		
CHECKED	<i>[Signature]</i>	1/3/00	SWCH1K-DC40-SK		
FILED			OPTION 1840, BRF50, 2092K		
			18 - 40 GHz, NON-REFLECTIVE SPST SWITCH		
REV	FORM NO.	REV NO.			REV.
A	60483		100-7160-2		-
SCALE N:S			SHEET		2 OF 3

DESCRIPTION

AMC MODEL SWCH1K-DC40-SK OPTION 1840, BRF50 & 2092K IS A TERMINATED SPST SWITCH WITH A FREQUENCY RANGE OF 18 TO 40 GHz, AND HAS A BALANCED RISE/FALL TIME OF 50nSEC.

FEATURES

- HIGH FREQUENCY
- WIDE BANDWIDTH
- FAST RISE TIMES
- MINIATURE SIZE
- LOW POWER

SPECIFICATIONS

- FREQUENCY RANGE.....18 TO 40 GHz
- INSERTION LOSS.....5.5dB TYPICAL, 6.8dB MAXIMUM
- ISOLATION.....65 TYPICAL 55dB MINIMUM
- VSWR.....2.0:1 TYPICAL 2.2:1 MAXIMUM
- RISE/FALL TIME *.....50ns MAXIMUM
- SWITCHING TIME *.....15ns MAXIMUM
- CONTROL.....TTL "1"=ON (STANDARD)
- RF POWER.....17dBm MAXIMUM
- DC on RF INPUT.....±0.5V MAXIMUM
- CONNECTORS
 - RF IN/OUT.....K Connector 2.92mm
 - CONTROL.....SMC
 - POWER.....SOLDER PINS
- DC POWER
 - +V.....+8V TO +15V @ 15mA MAXIMUM
 - V.....-8V TO -15V @ 40mA MAXIMUM
- SIZE.....1.20" x 1.30" x 0.50"
- OPTIONS
 - BRF50.....RISE and FALL TIME 50ns

• NOTE: * SPECIFICATION MODIFIED BY OPTION

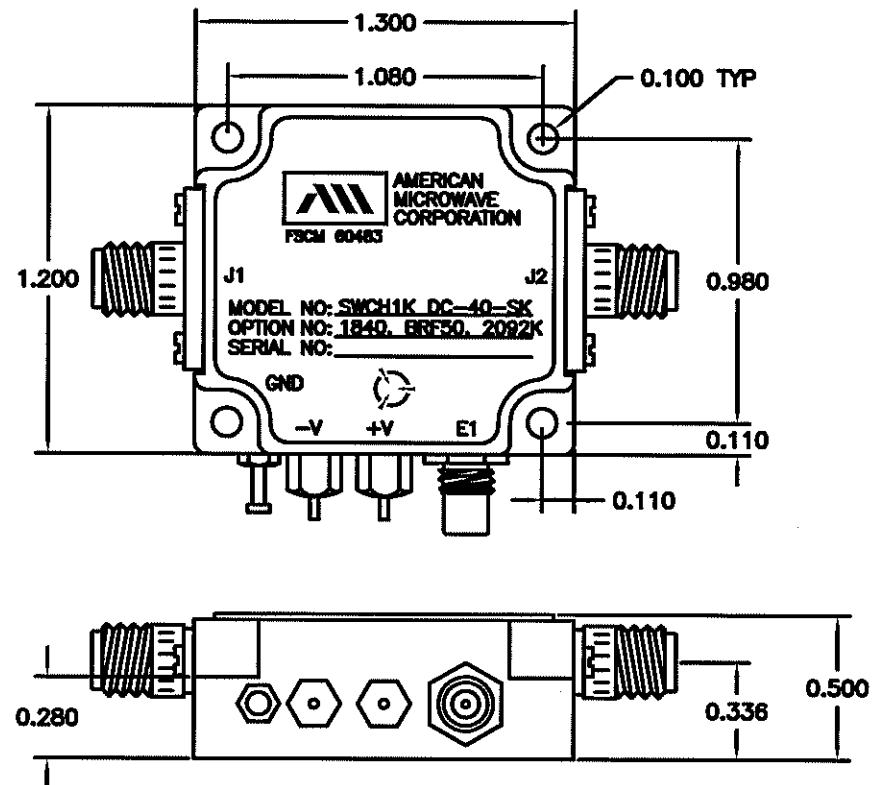
ENVIRONMENTAL RATINGS

- **TEMPERATURE:**.....-40°C TO +85°C (OPERATING)
-55°C TO +125°C (STORAGE)
- **HUMIDITY:**.....MIL-STD-202F, METHOD 103B COND. B
- **SHOCK:**.....MIL-STD-202F, METHOD 213B COND. B
- **VIBRATION:**.....MIL-STD-202F, METHOD 204D COND. B
- **ALTITUDE:**.....MIL-STD-202F, METHOD 105C COND. B
- **TEMPERATURE CYCLE:**.....MIL-STD-202F, METHOD 107D COND. A

NOTE: SPECIFICATIONS WILL VARY OVER OPERATING TEMPERATURE
NOTE: THE ABOVE SPECIFICATIONS ARE SUBJECT TO CHANGE OR REVISION

ALL DIMENSIONS ARE IN INCHES
TOLERANCES:
XJXX ±0.020
XJXX ±0.010

REVISIONS				
ZONE	REV.	DESCRIPTION	DATE	APPROVED
-	-	ORIGINAL RELEASE	1/9/07	<i>[Signature]</i>



AMERICAN MICROWAVE CORPORATION

7311-G GROVE ROAD
FREDERICK, MARYLAND 21704 USA
TEL: 301-662-4700 FAX: 301-662-4938
WEBSITE: www.americanmicrowavecorp.com
E-MAIL: sales@americanmicrowavecorp.com
ISO 9001:2000 CERTIFIED

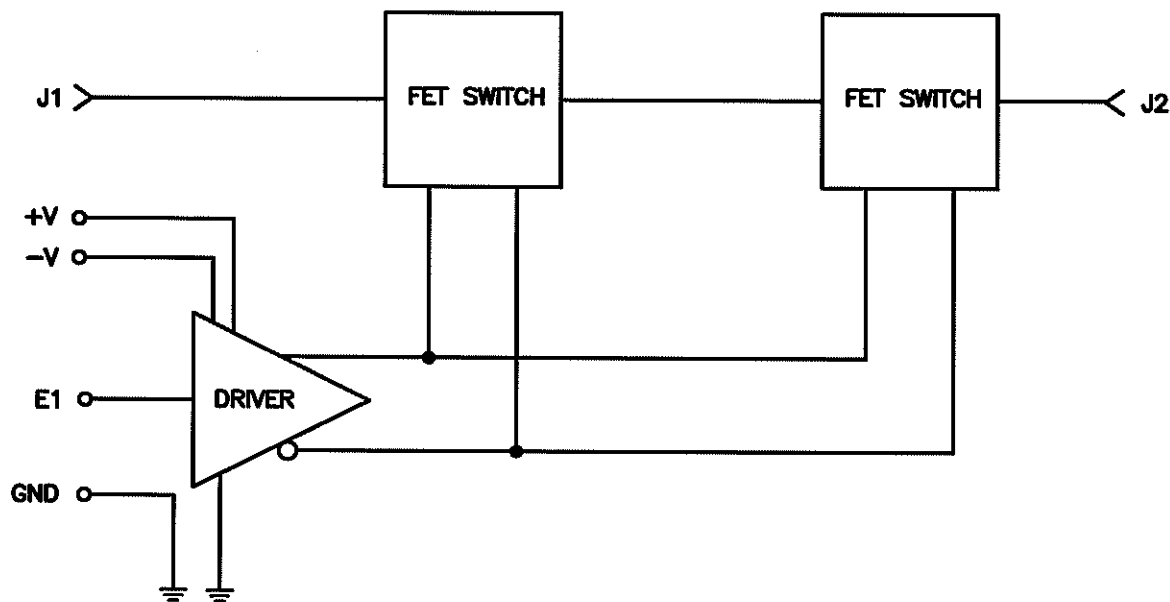


APPROVALS		DATE	PRODUCT FEATURE		
DESIGN	<i>[Signature]</i>	1/9/07	SWCH1K-DC40-SK		
CHECKED	<i>[Signature]</i>	1/30/07	OPTION 1840, BRF50, 2092K		
DRAWN			18 - 40 GHz, NON-REFLECTIVE SPST SWITCH		
SIZE	FROM NO.	DWG NO.	REV.		
A	60483	100-7160-2	-		
SCALE N:S			SHEET 1 OF 3		

DESCRIPTION

AMC MODEL SWCH1K-DC40-SK OPTION 1840, BRF50 & 2092K IS A TERMINATED SPST SWITCH WITH A FREQUENCY RANGE OF 18 TO 40 GHz, AND HAS A BALANCED RISE/FALL TIME OF 50nSEC.

FUNCTIONAL BLOCK DIAGRAM



AMERICAN MICROWAVE CORPORATION

7311-G GROVE ROAD
 FREDERICK, MARYLAND 21704 USA
 TEL: 301-662-4700 FAX: 301-662-4938
 WEBSITE: www.americanmicrowavecorp.com
 E-MAIL: sales@americanmicrowavecorp.com
 ISO 9001:2000 CERTIFIED



CONFIDENTIAL AND PROPRIETARY

APPROVED		DATE	TITLE		
DESIGN	JCM/SP	1/2/00	FUNCTIONAL BLOCK DIAGRAM		
CHECKED	[Signature]	1/3/00	SWCH1K-DC40-SK		
DRAWN			OPTION 1840, BRF50, 2092K		
			18 - 40 GHz, NON-REFLECTIVE SPST SWITCH		
			REV. FROM IEC.	QWB IEC.	REV.
			A	60483	100-7160-2
			SCALE N:S		SHEET 3 OF 3